



# YETDA INDUSTRY LTD.

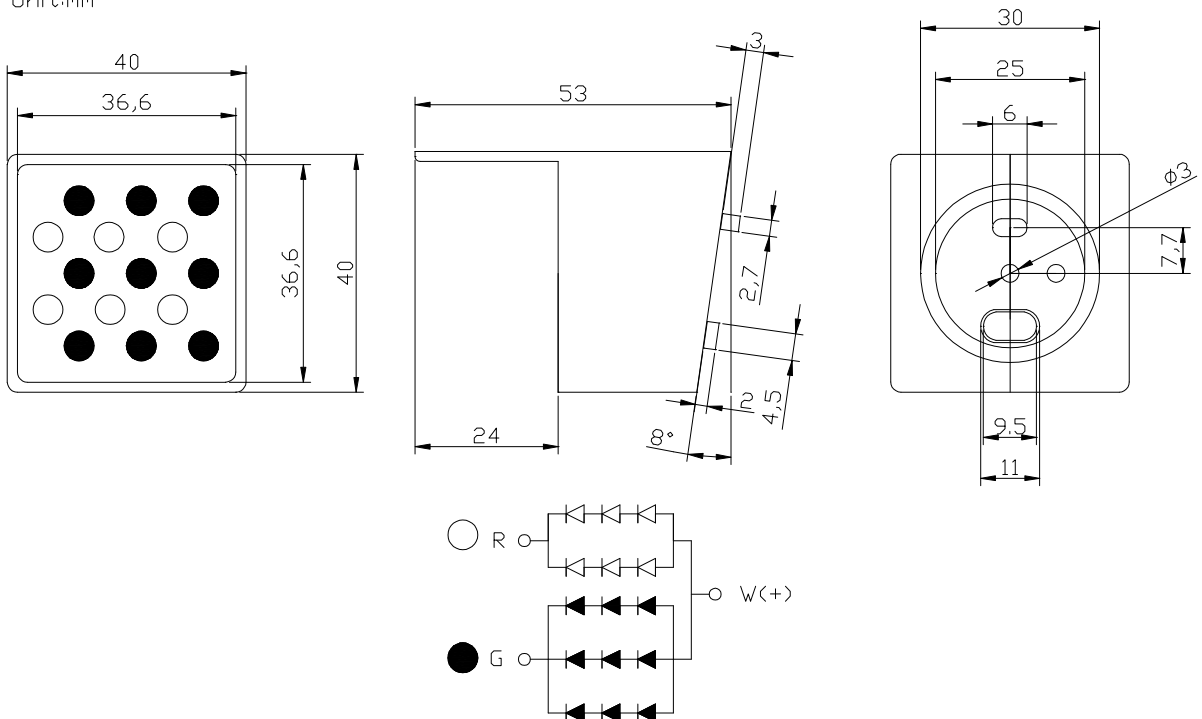
## Red + Green LED Cluster S40RBI6GBL9

### Electro-Optical Characteristics (Ta = 25°C)

Lamp Qty.	Color	Test Condition	$\lambda_p$ (nm) Typ.	Vf (V) Typ.	Iv (mcd) Typ.	Viewing Angle
6	Red	If=40mA	624	5.4	5000	50
9	Green	If=60mA	571	6.6	5000	

### Package:

Item:S40XXX6XXX9  
Unit:mm



20090302