



# YETDA INDUSTRY LTD.

## 2.8mm White LED Lamps S304MEW4G

2.8mm with Super Bright Dice,  
Encapsulated with Water Clear Package,  
Long Leads.

### Absolute Maximum Ratings :

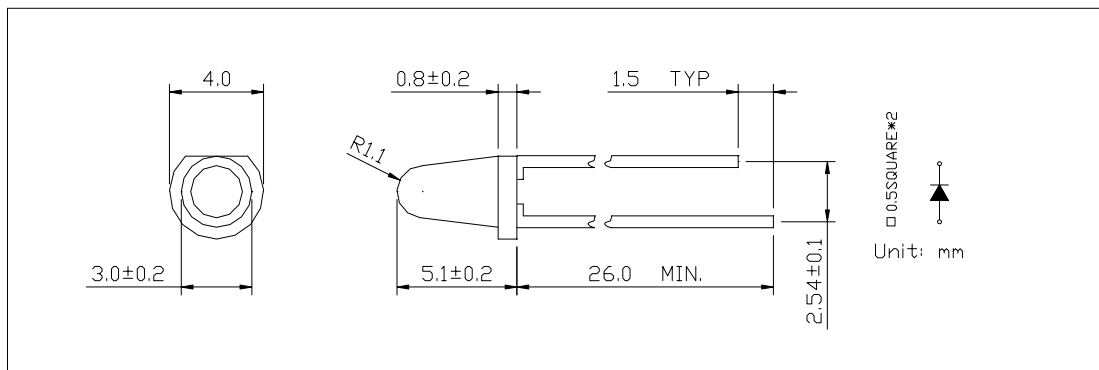
Parameter	Maximum Rating	Unit
Peak Forward Current	120	mA
Continuous Forward Current	30	mA
Operating Temperature Range	- 30 to + 85	
Storage Temperature Range	- 30 to + 100	
Lead Soldering Temperature	260 for 3 seconds 1.6mm(0.063 inch) from body	

### Electro-Optical Characteristics ( Ta = 25 )

Parameter Radiant	Test Condition	Symbol	Min.	Typ.	Max.	Unit
Forward Voltage	If = 20mA	Vf		3.6	4.0	V
Reverse Current	Vr = 5V	Ir			10	uA
Luminous Intensity	If = 20mA	Iv		5800	6300	mcd
Spectral Bandwidth	If = 20mA	$\Delta\lambda$		20		nm
Wavelength	If = 20mA	X		0.29		
		Y		0.30		
Half View Angle	If = 20mA	2 $\theta$ 1/2		15		deg

Please refer to CIE1931 Chromaticity Coordinate diagram  
Package

Item: 304



20090427