



HS9913T-FM

INFRARED FM TRANSMITTER

GENERAL DESCRIPTION

The **hs9913** is high speed IC types are frequency modulator with silicon gate CMOS technology . It is designed for use in cordless headphones systems.

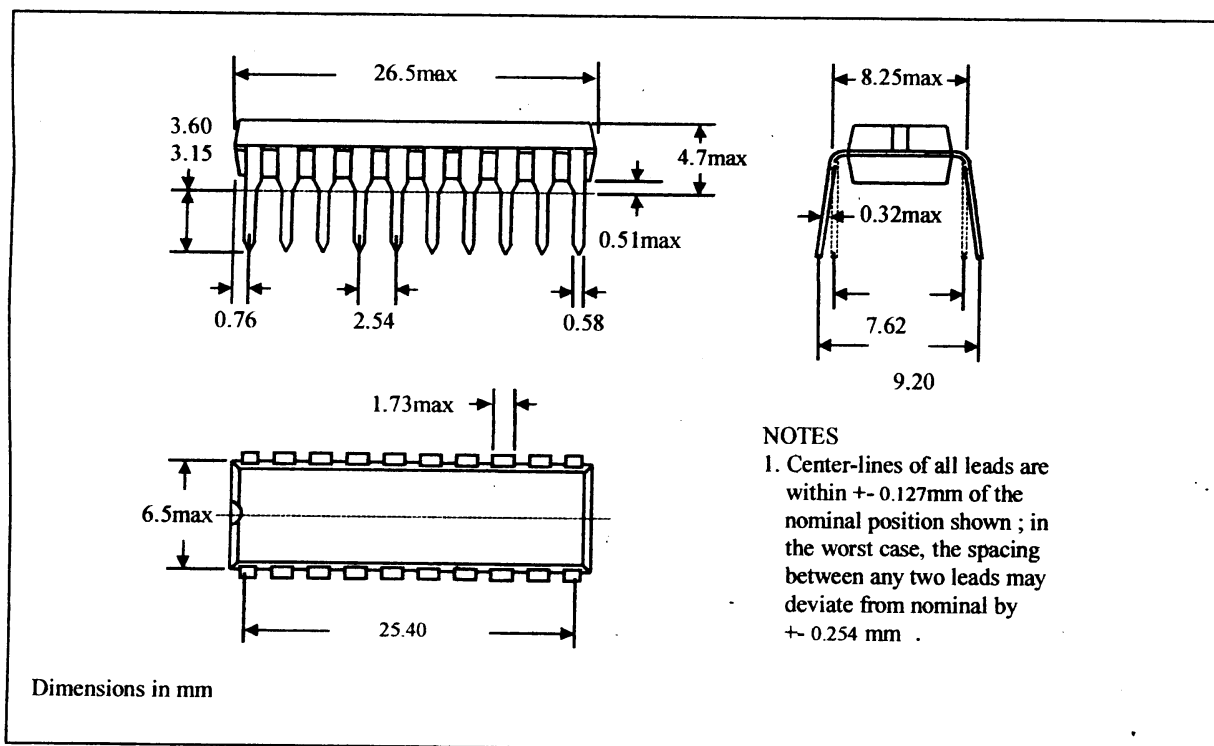
FEATURE

- Automatic power on/off function.
- Low power dissipation ($I_{dd}=10\mu A(\text{max.})$ at $t_a=25^\circ C.$)
- Wide operating voltage range ($V_{dd}=2 \sim 5v$)
- Output frequency range 0.5 ~ 6Mhz.

* RECOMMENDED OPERATING CONDITIONS

- Supply voltage v_{dd} 3v to 5v

PACKAGE OUTLINES

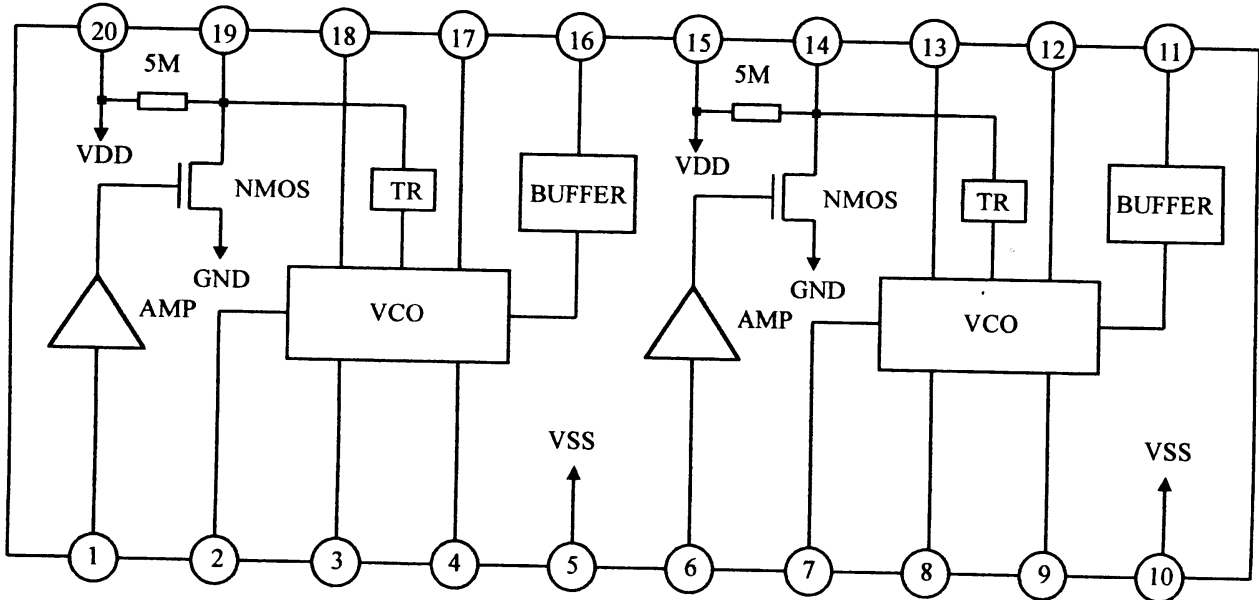


HS9913 : 20-lead DIL ; plastic (with internal heat spreader) (SOT38D) .
 HS9913S:20-lead mini-pack ; plastic (SO20 ; SOT163A) .

HS9913

INTEGRATED CIRCUIT

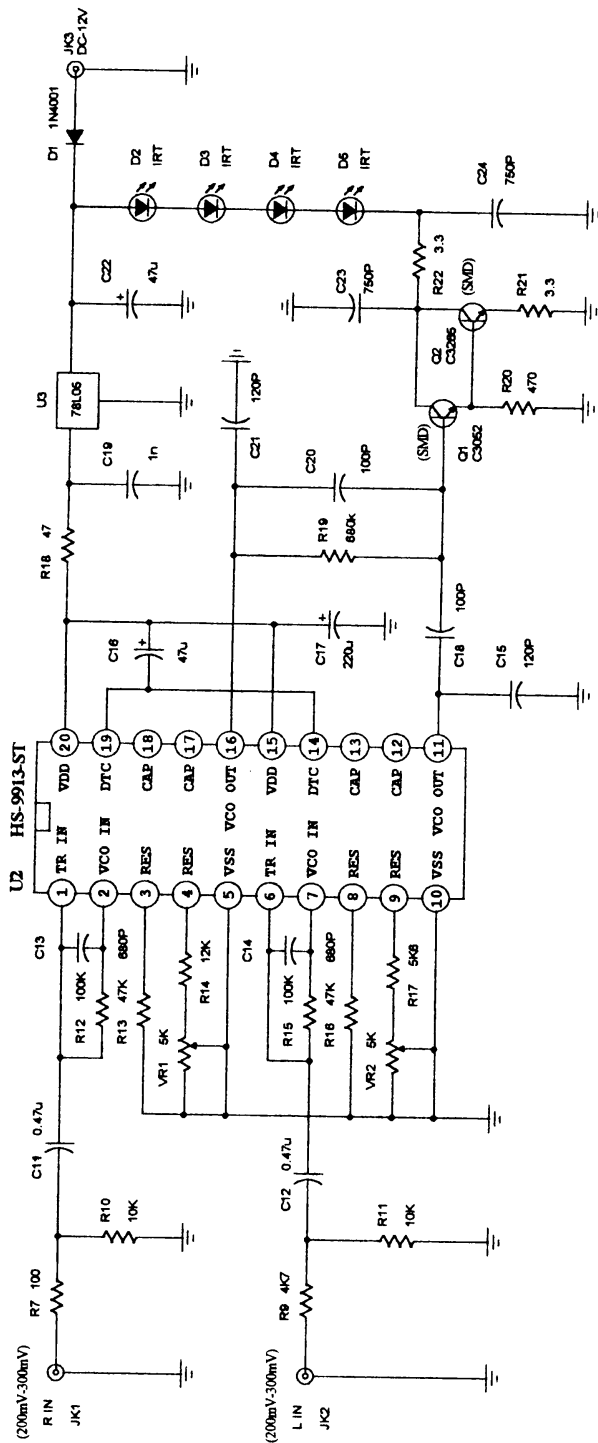
Block Diagram



Pin Description

NO	Name	Description	NO	Name	Description
1	(1) TR IN	Trigger input	11	(2)VCO OUT	Frequency modulation output
2	(1) VCO IN	Modulation input	12	(2) CAP	OSC Capacitor
3	(1) RES	VCO Without offset	13	(2) CAP	OSC Capacitor
4	(1) RES	Frequency adjust	14	(2) OTC	Off time control
5	(1) VSS	ground	15	(2)VDD	Power
6	(2) TR IN	Trigger input	16	(1)VCO OUT	Frequency modulation output
7	(2) VCO IN	Modulation input	17	(1) CAP	OSC Capacitor
8	(2) RES	VCO Without offset	18	(1) CAP	OSC Capacitor
9	(2) RES	Frequency adjust	19	(1) OTC	Off time control
10	(2) VSS	ground	20	(1)VDD	Power

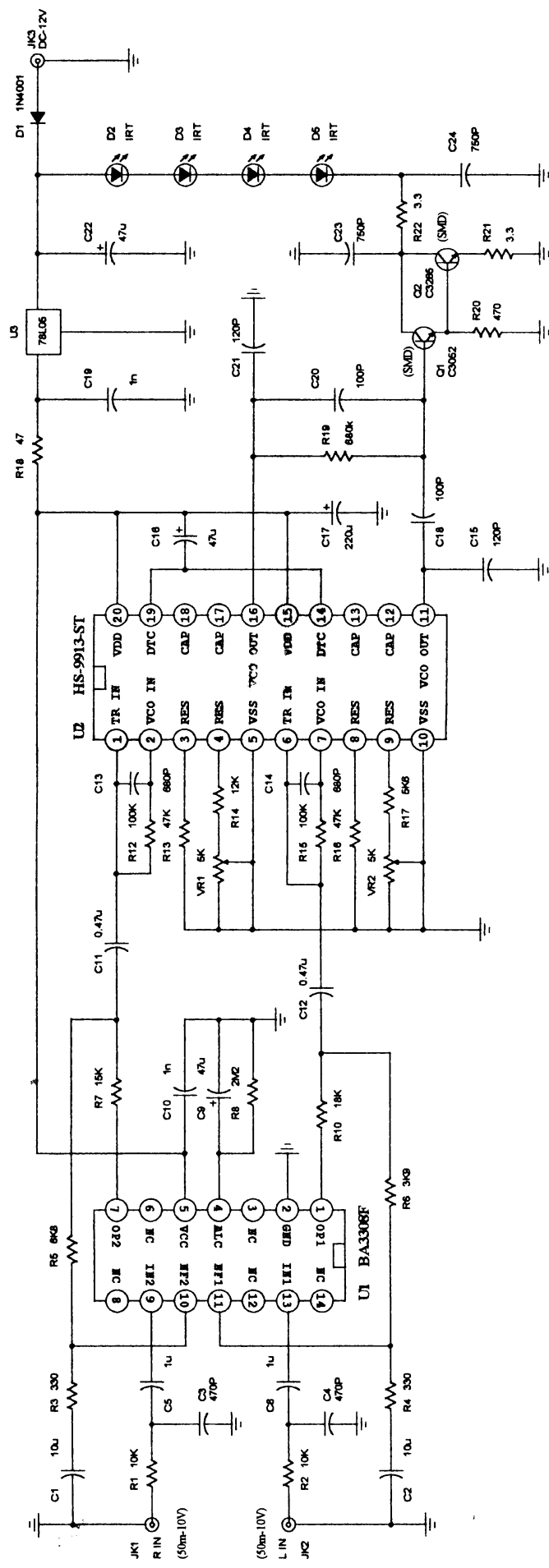




2.3MHZ / 2.8MHZ R14=12K / R17=5K6
 3.3MHZ / 3.8MHZ R14=2K7 / R17=1K5

Title		<Title>
Size	Document Number	
B	-000-	
Date:	Wednesday, November 12, 2003 12:03:11	

3/18



2.3MHZ / 2.8MHZ R14=12K / R17=5K6
 3.3MHZ / 3.8MHZ R14=2K7 / R17=1K5

Title	<This>
Size	Document Number
B	<Doc>
Rev	
Date	Wednesday, November 12, 2003 Sheet 1 of 1

4/4